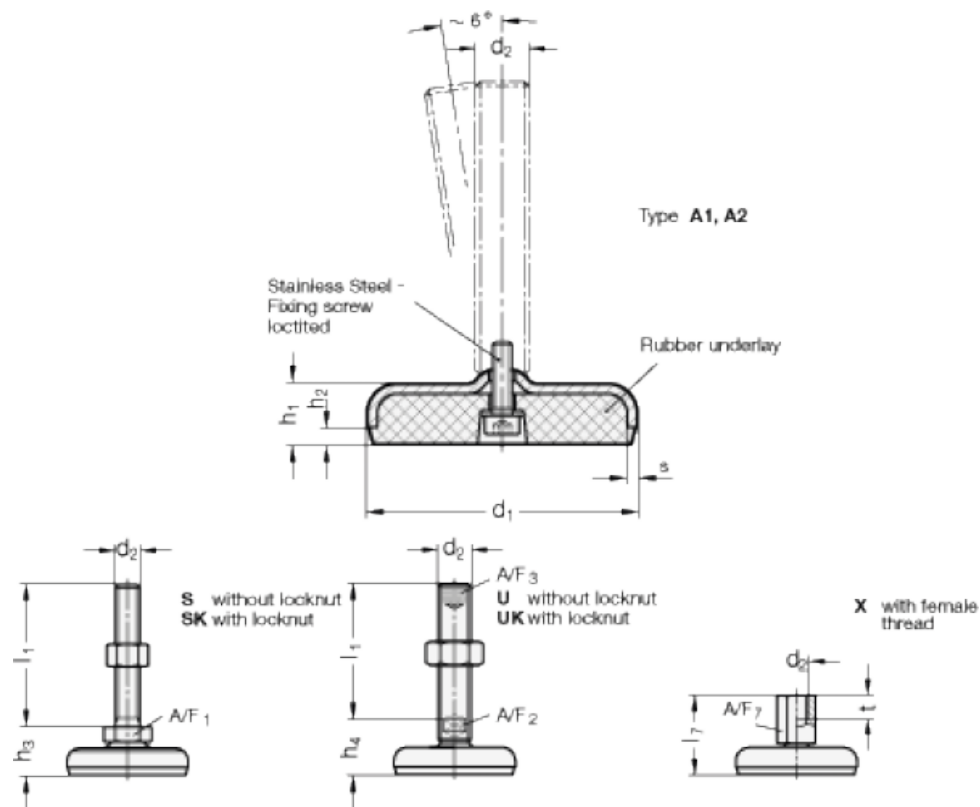


Article number: 2030120M30100A2U

Description: E+G levelling foot
GN 30-120-M30-100-A2-U

Note: U Without nut, Hexagon socket at the top, Wrench flat at the bottom

Measures



A/F2 = 24

$s = 4$

A/F3 = 12

$d_1 = 120$

$d_2 = M30$

$h_1 = 22$

$h_2 = 6$

$h_4 = 46$

$l_1 = 100$